

DFR Remote Isolation & Fusing Module

P/N 9766

The Mehta Tech, Inc. DFR Remote Isolation & Fusing Module, (9766) is one of a series of passive transformers for current signals and fused protection for the voltage. The 9766 is designed for interconnection directly into a 5 Amp CT secondary circuit. The 9766 isolates and steps down the 5A CT circuit by a factor of 1250:1. Since the 9766 produces a low current output, it is typically connected to the DFR via 18 AWG, twisted, shielded pair cabling and may be located hundreds of feet from the DFR, minimizing voltage drop concerns. As a safety precaution the output current is "open circuit" voltage limited to 21.6V.

The 9766 model is a self-contained cabinet mounted isolation module that can be installed into any standard 19" (24" w/adapter) equipment cabinet. The standard configuration is 4RU in height. All wiring connections are barrier type terminal blocks. The integrated test switches allow the voltage and current signals to be safely removed from the circuit and facilitate ease of in-circuit testing.

Features/Physical Characteristics

- Easy connections for field wiring to the recorder analog channels
- Barrier Type Terminal Blocks that are rated at 6kV with #10 screw terminals. The terminals are nickel-plated brass for high conductivity and long life to eliminate the potential for galvanic action
- Anti-corrosion Grounding lug on the back panel
- FT Type Test Switches with White Handles (additional colors on request) for Current and Voltage
- All voltage signals are fused for 1A There is a polarity "dot" on the back panel to aid in making proper connections (please see drawing on following page)

9766 Mounting Dimensions

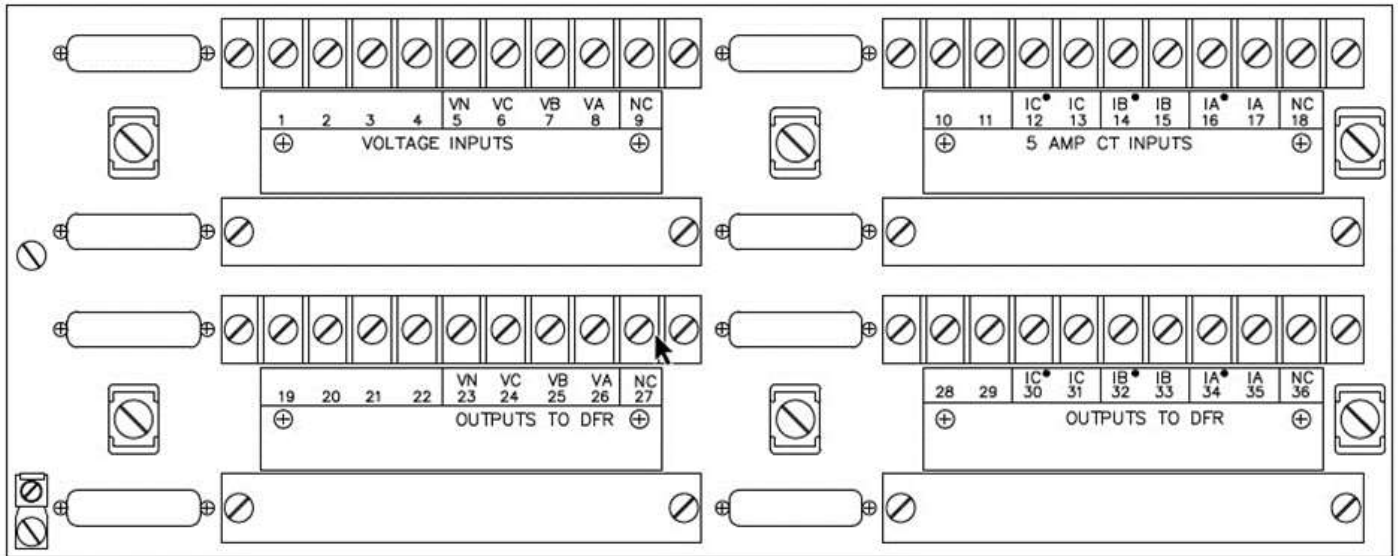
- Industry Standard 4RU 19" Rack Mount: 7.00" H x 17.5" W x 5.00" D
- Four 1/4" diameter holes on each plate for easy mounting
- 24" Mounting adapters are available upon request



Specifications

- High Potential Rating: 2kV @ 60Hz
- Turns Ratio: 1250:1
- Approximate Burden: <100VA @ 100A (60Hz)
- Continuous Current: 15 Amps
- 1 Second Rating: 125 Amps
- Phase Angle Error: <0.75°@10 Amps Primary, 60Hz (Typical)
- Secondary Open Circuit Protection: Maximum clamping voltage is 21.6 Volts, nominal 18V
- Amplitude Response: Within 3db from 4Hz-6KHz (typical)

Back Panel Layout



208 N. 12th Ave. - Eldridge, IA 52748
(563) 285-9151 - Fax (563) 285-7576
www.mehtatech.com